

Main Data

Cylinder bore

400 mm

Piston stroke

560 mm

Speed

510 rpm

Mean effective pressure at R1

25.1 bar

Piston speed

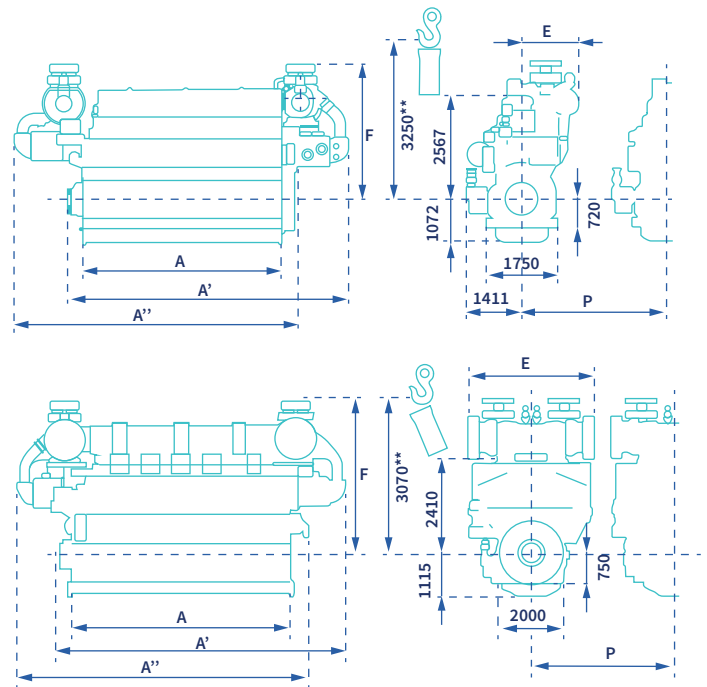
9.52 m/s

Fuel Specification Fuel Oil

730 cSt/ 50 °C

7200 sRI/100 °F

ISO 8217, category ISO-F-RMK 55



Rated power: Propulsion Engines

Cyl.	Output in kW/BHP at 510 rpm*	
	Engine MCR	
	kW	BHP
6 L	4 500	6 120
8 L	6 000	8 160
9 L	6 750	9 180
12 V	9 000	12 240
14 V	10 500	14 280
16 V	12 000	16 320
18 V	13 500	18 360

Principal engine dimensions (mm) and weights (tonnes)

Cyl.	A	A'	A''	E	F	P	Weight
6 L	4 920	7 014	7 768	1 436	3 378	2 800	59
8 L	6 320	8 734	9 310	1 454	3 747	2 800	78
9 L	7 020	9 434	10 010	1 454	3 747	2 800	86
12 V	5 740	7 650	7 960	3 464	4 008	3 850	102
14 V	6 520	8 605	8 915	4 190	4 152	4 700	119
16 V	7 300	9 385	9 695	4 190	4 152	4 700	132
18 V	8 080	10 165	10 475	4 190	4 152	4 700	145

* Speeds 500 and 514 rpm at same outputs also available for 50 and 60 Hz operation respectively.

** Standard dismantling height for cylinder liner and piston